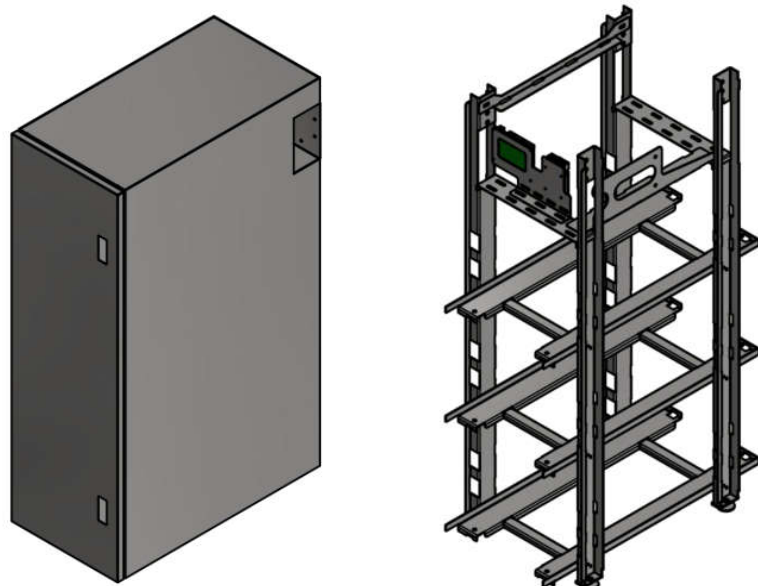


## SOLAR MD STORAGE PRODUCTS



### CB-12 Cabinet Solution

The CB-12 cabinet provides a flexible, modular design. Its storage capabilities depend on the number of SS202 modules installed into the cabinet, with a limit of 1-3 modules for the CB-12.

Cabinet comes with integrated copper bus bar

	CB - 12 Cabinet
<b>Dimensions</b>	700x1165x365 mm
<b>SS202 Modules</b>	1 to 3 modules
<b>Maximum Discharge</b>	15kW
<b>Maximum Charging</b>	15kW
<b>Max. efficiency</b>	98%
<b>Weight</b>	37kg

## SOLAR MD STORAGE PRODUCTS



### SS202

The Solar MD standard battery – SS202 has been widely used in energy storage applications in the African market. The battery is produced with world leading LiFePO4 technology.

### BATTERY FEATURES

- ✓ Stable discharge platform
- ✓ Safe design
- ✓ Long lifecycle
- ✓ High temperature performance range
- ✓ High energy density
- ✓ High charge and discharge rate
- ✓ High efficiency
- ✓ No pollution or gasses

	SS202
<b>Battery type</b>	Lithium Iron Phosphate (LiFePO4)
<b>Rated battery capacity</b>	7400 Wh
<b>Output power</b>	Max 5kW
<b>Usable battery energy @0.3C</b>	7.4kWh
<b>Nominal voltage</b>	51.2V
<b>Number of battery modules</b>	1 module
<b>Weight of SS202</b>	63kg
<b>Operational voltage</b>	44.8-55.6 Vdc
<b>Communication</b>	CAN
<b>Dimensions of SS202 (mm)</b>	Width 300 x depth 300 x height 630
<b>Battery cycle life [+25°C]</b>	> 4000
<b>Charging efficiency</b>	99%
<b>Operational temperature</b>	-5 °C to +50 °C
<b>Transport</b>	UN3480 & UN38.3
<b>Storage duration</b>	6 months at +25 °C
<b>Safety standard compliance</b>	IEC 62619 / UN 38.3 / UL1642
<b>Cell Certificate</b>	TUV / CE / RCM / UL1642